



Features:

- Available in a variety of pressure ranges from -14.5 psi to 8700 psi.
- User-definable measurement units (psi/bar) for convenient and familiar data readings.
- Port options: Male NPT or SAE thread and EMA or PD quick couplers for fast and easy connecting.
- Corrosion resistant materials for challenging environments.
- Sensor also provides ambient temperature values.
- Configurable measurement and broadcast intervals*. Refer to Voice of the Machine Cloud for more information about capabilities and modalities.

Sensor Technical Data							
Housing Material	Polycarbonate	Polycarbonate	Polycarbonate	Polycarbonate	Polycarbonate	Polycarbonate	Polycarbonate
Port	1/4" Male NPT	1/4" Male NPT	1/4" Male NPT	-4 SAE	-4 SAE	-4 SAE	-4 SAE
Wetted Parts Material	17-4 Stainless	17-4 Stainless	17-4 Stainless	17-4 Stainless and Nitrile	17-4 Stainless and Nitrile	17-4 Stainless and Nitrile	17-4 Stainless and Nitrile
Measurement Range (pressure)	-14.5 to 14.5 psi [-1 to 1 bar]	0-150 psi [10 bar]	0-232 psi [16 bar]	0-1500 psi [100 bar]	0-3625 psi [250 bar]	0-5800 psi [400 bar]	0-8700 psi [600 bar]
Max. Overload Pressure	29 psi	225 psi	350 psi	2250 psi	5440 psi	8700 psi	13,050 psi
Burst Pressure	3x	4x	4x	4x	4x	4x	4x
Accuracy (at 77°F/ 25°C)	1.5%	1.5%	1.5%	1.5%	1.5%	1.5%	1.5%
Resolution	.01 psi	.1 psi	.1 psi	1 psi	1 psi	1 psi	1 psi
Response Time (min)	1 sec	1 sec	1 sec	1 sec	1 sec	1 sec	1 sec
Ambient Temperature (battery limited)**	-4°F to 158°F [-20°C to 70°C]	-4°F to 158°F [-20°C to 70°C]	-4°F to 158°F [-20°C to 70°C]	-4°F to 158°F [-20°C to 70°C]	-4°F to 158°F [-20°C to 70°C]	-4°F to 158°F [-20°C to 70°C]	-4°F to 158°F [-20°C to 70°C]
Fluid Media Temperature Range	-40°F to 185°F [-40°C to 85°C]	-40°F to 185°F [-40°C to 85°C]	-40°F to 185°F [-40°C to 85°C]	-40°F to 185°F [-40°C to 85°C]	-40°F to 185°F [-40°C to 85°C]	-40°F to 185°F [-40°C to 85°C]	-40°F to 185°F [-40°C to 85°C]
Full Range Life Cycles	> 1 million	> 1 million	> 1 million	> 1 million	> 1 million	> 1 million	> 1 million
Certifications	FCC, IC, CE	FCC, IC, CE	FCC, IC, CE	FCC, IC, CE	FCC, IC, CE	FCC, IC, CE	FCC, IC, CE
Battery (Panasonic is recommended brand)	CR123A	CR123A	CR123A	CR123A	CR123A	CR123A	CR123A
IP Rating	IP65	IP65	IP65	IP65	IP65	IP65	IP65

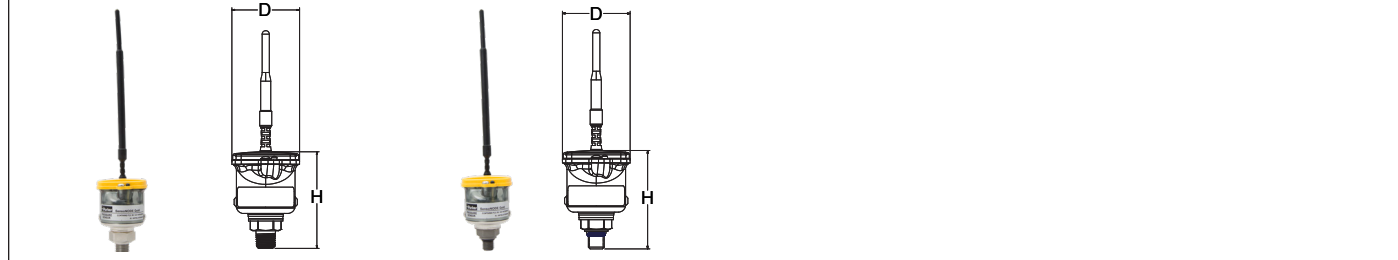
Note: Consult QCD for other port options, pressure ratings, and port seal materials.
 *Consult Subscription Agreement and Order Form or Parker QCD for any changes regarding data rates.
 **Ambient temperature range can be broadened by installing Wired Power Adapter (SNWP2-2)



SensoNODE™ Gold

Pressure

Pressure Sensors



Part Number	Pressure Rating psi [bar]	Port	D	H
SNPT2-1-2-4MP	-14.5 to 14.5 [-1 to 1]	1/4" Male NPTF	ø1.88" [48mm]	2.66" [68mm]
SNPT2-10-2-4MP	0-150 [10]	1/4" Male NPTF	ø1.88" [48mm]	2.66" [68mm]
SNPT2-16-2-4MP	0-232 [16]	1/4" Male NPTF	ø1.88" [48mm]	2.66" [68mm]
SNPT2-100-2-4MO	0-1500 [100]	-4 SAE	ø1.88" [48mm]	2.72" [69mm]
SNPT2-250-2-4MO	0-3625 [250]	-4 SAE	ø1.88" [48mm]	2.72" [69mm]
SNPT2-400-2-4MO	0-5800 [400]	-4 SAE	ø1.88" [48mm]	2.72" [69mm]
SNPT2-600-2-4MO	0-8700 [600]	-4 SAE	ø1.88" [48mm]	2.72" [69mm]

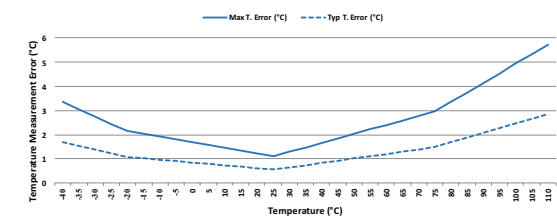
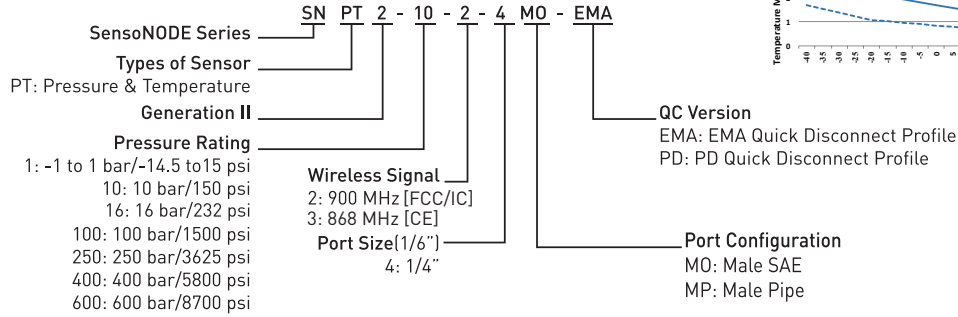
Quick Couplers



Part Number	Pressure Rating psi [bar]	Port	D	H
SNPT2-100-2-4MO-EMA	0-1500 [100]	EMA	ø1.88" [48mm]	4.00" [101mm]
SNPT2-250-2-4MO-EMA	0-3625 [250]	EMA	ø1.88" [48mm]	4.00" [101mm]
SNPT2-400-2-4MO-EMA	0-5800 [400]	EMA	ø1.88" [48mm]	4.00" [101mm]
SNPT2-600-2-4MO-EMA	0-8700 [600]	EMA	ø1.88" [48mm]	4.00" [101mm]
SNPT2-100-2-4MO-PD	0-1500 [100]	PD	ø1.88" [48mm]	4.40" [112mm]
SNPT2-250-2-4MO-PD	0-3625 [250]	PD	ø1.88" [48mm]	4.40" [112mm]
SNPT2-400-2-4MO-PD	0-5800 [400]	PD	ø1.88" [48mm]	4.40" [112mm]

Note: Products in catalog are currently only for sale in U.S., Canada, and Europe except where stated otherwise.

How to Order:



WARNING The products listed can expose you to chemicals including Lead, which is known to the State of California to cause cancer, and to cause birth defects or other reproductive harm. For more information go to www.P65Warnings.ca.gov

